

# LOW ARM CHAIR, LOVESEAT & SOFA

139-068-1050  
139-068-1256  
139-070-1050  
139-070-1256  
139-073-1050  
139-073-1256

**WARNING!**

- Do not sit on the arms of the sofa.
- This sofa is designed to seat a maximum of 3 individual at a time.
- The maximum weight capacity of this sofa is 500lb.
- Do not use this sofa near fire, water.
- Do not drop sharp objects like knives, pins, nails, needles on this sofa.
- Carry sofa carefully when moving it from one position to another.
- Do not drag sofa on any type of flooring.
- Do not jump on sofa.
- Do not forcefully throw your weight on the sofa to avoid tipping over.
- Do not use this sofa in direct sunlight or put in front of heater, air conditioner. This may make material brittle and fade color.
- Do not let children play on or near the sofa. Injury can occur.
- Ensure all parts such as cushions are in place before use.

**Cleaning Instructions** - For Liquid spills, non-liquid spills

- The removal of dried non-liquid spills may require the use of soft brush.
- Mix water-based upholstery cleaner with 16 ounces of lukewarm water.
- Dampen a cleaning cloth in the mixture and gently blot the soiled area. Avoid rubbing the affected area aggressively.
- Wipe area with a clean cloth dampened in water. Ensure that all of the soap residue has been removed.

**¡¡¡ADVERTENCIAS!!!**

- No se siente en los brazos del sofá.
- Este sofá está diseñado para sentar a un máximo de 3 individuos a la vez.
- La capacidad máxima de peso de este sofá es de 500 lb.
- No use este sofá cerca del fuego, agua.
- No deje caer objetos puntiagudos como cuchillos, alfileres, clavos, agujas sobre este sofá.
- Lleve el sofá cuidadosamente al moverlo de una posición a otra.
- No arrastre el sofá sobre ningún tipo de piso.
- No salte sobre el sofá.
- No tire con fuerza su peso sobre el sofá para evitar que se vuelque.
- No use este sofá en la luz directa del sol o coloque esta silla frente al calentador, aire acondicionado, esto puede causar que el material se vuelva frágil y que el color se desvanezca
- Do not forcefully throw your weight on the sofa to avoid tipping over.
- No deje que los niños jueguen sobre o cerca del sofá. Pueden ocurrir lesiones.
- Asegúrese de que todas las partes tales como los cojines estén en su lugar antes del uso.

**Para: derrames de líquidos, derrames no líquidos**

- La eliminación derrames no líquidos puede requerir el uso de un cepillo suave.
- Mezcle el limpiador de tapicería a base de agua con 16 onzas de agua tibia.
- Humedezca un paño de limpieza en la mezcla y limpie suavemente el área sucia. Evite frotar agresivamente la zona afectada.
- Limpie el área con un paño limpio humedecido en agua. Asegúrese de que los restos de jabón hayan sido eliminados.

**AVERTISSEMENTS!**



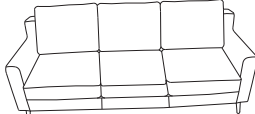
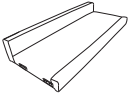
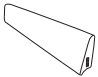
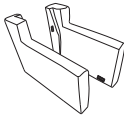

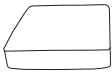

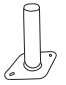

- Lisez tous ces avertissements avant l'utilisation.
- Ne pas s'asseoir, ni se mettre debout, ni sauter sur cette article.
- Cet article est conçu pour l'utilisation interne uniquement.
- Pour éviter les dangers de suffocation, assurez-vous que tous les sacs en polyéthylène et les matériaux d'emballage et les pièces fournis avec cette article sont tenus hors de portée et éliminés de manière adéquate.
- Portez l'article avec précaution lorsque vous le déplacez d'une position à l'autre. Ne pas traîner l'article sur aucun type de sol.
- Avant l'utilisation, assurez-vous que cet article est complètement monté.
- Ne pas utiliser des outils électriques pour monter cet article.
- Des blessures graves ou fatales peuvent se produire, si vous basculez le meuble. Pour éviter que le meuble bascule, calez le meuble au mur en utilisant une cale.
- Ne pas utiliser cet article près d'un feu ou d'une source d'eau.
- Ce meuble doit être utilisé sur des surfaces plates uniquement. Assurez-vous que les pieds sont en contact permanent avec le sol.
- Vérifiez s'il n'y a pas de vis déliée sur cet article de temps en temps.
- Ne placez pas de téléviseur ni d'autres objets lourds sur cet objet.

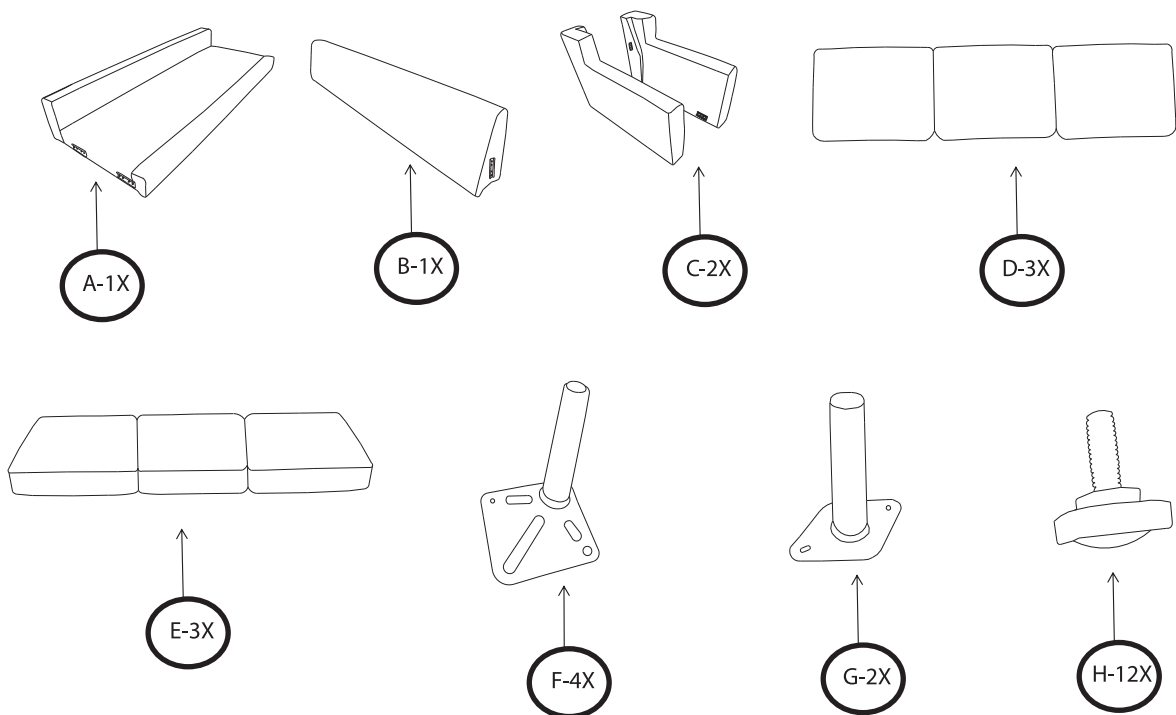
**INSTRUCTIONS DE NETTOYAGE - Pour : Saleté liquide, saleté non liquide**

- L'enlèvement de saleté non liquide peut exiger l'utilisation d'une brosse douce.
- Nettoyant pour tissu et rembourrage à base de mélange d'eau avec 500 grammes d'eau tiède.
- Mouillez légèrement un tissu avec le mélange et essuyez doucement la zone sale. Évitez de frotter la zone à nettoyer de manière forte.
- Essuyez la zone avec un tissu propre imbibé d'eau. Assurez-vous d'enlever tous les résidus de savon.

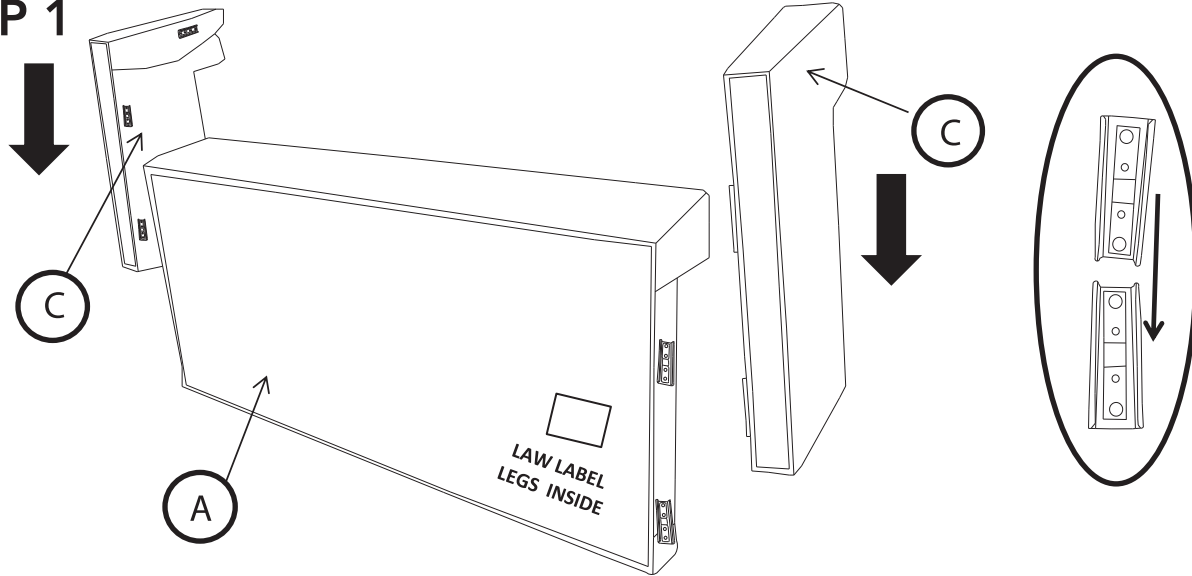
**Have a question?** Please contact Customer Service at **877-707-7533** for the quickest service.

We are open Monday -Friday from 9:00 a.m. - 5:00 p.m. (EST) or you can email us at [claims@classicbrands.com](mailto:claims@classicbrands.com).

			
	1 SEAT FRAME	1 SEAT FRAME	1 SEAT FRAME
	1 BACK FRAME	1 BACK FRAME	1 BACK FRAME
	2 ARM RESTS	2 ARM RESTS	2 ARM RESTS
	1 BACK CUSHION	2 BACK CUSHIONS	3 BACK CUSHIONS
	1 SEAT CUSHION	2 SEAT CUSHIONS	3 SEAT CUSHIONS
	4 CORNER LEGS	4 CORNER LEGS	4 CORNER LEGS
	N/A	1 CENTER LEG	2 CENTER LEGS
	8 THUMB SCREWS	10 THUMB SCREWS	12 THUMB SCREWS

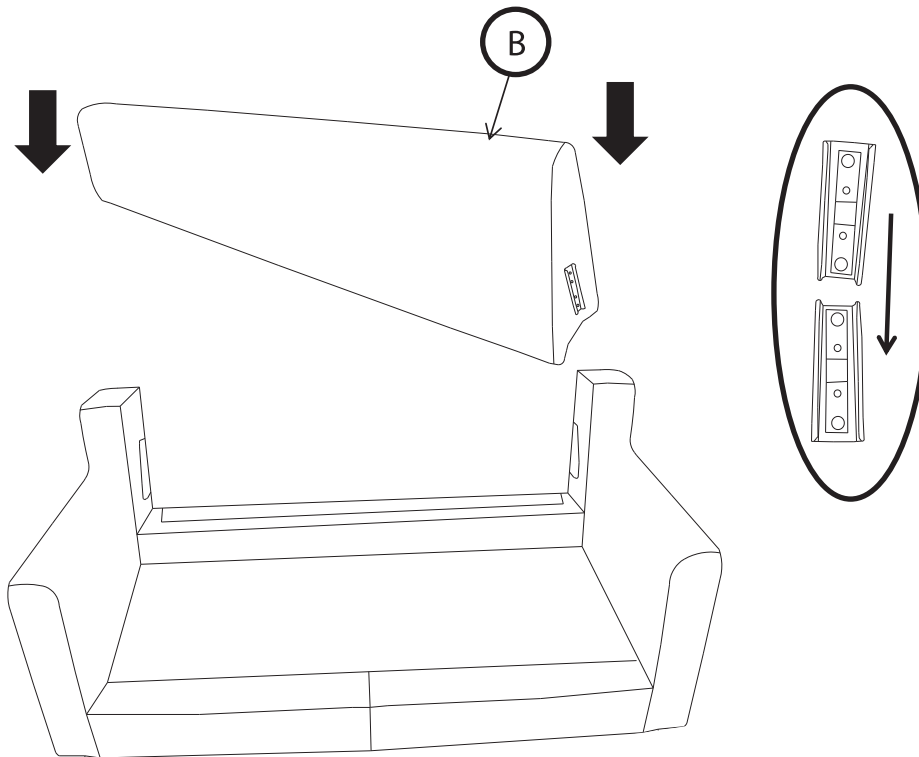


**STEP 1**



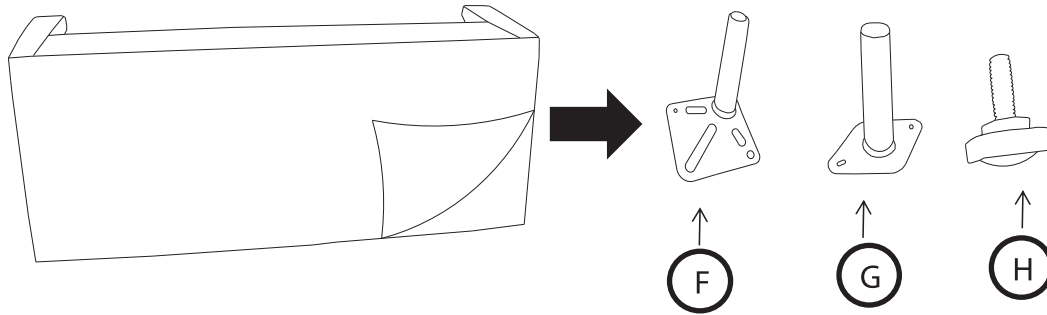
- Place the chair base (A) on its side. Place the sofa arm supports (C) side by side and line the attachment points to both sides of the base as shown. Key in place each side arm support one at a time into the base (A) by sliding the two slots on (C) into (A) as shown. Lay the sofa back on its base.
- Coloque la base de la silla (A) de lado. Coloque los soportes del brazo del sofá (C) uno al lado del otro y alinee los puntos de sujeción a ambos lados de la base como se muestra. Ajuste en su lugar cada soporte de brazo lateral uno a la vez en la base (A) deslizando las dos ranuras en (C) en (A) como se muestra. Coloque el sofá de nuevo en su base.
- Retournez le siège de la chaise (A) à l'envers. Retirez les deux pieds (D) et le pack de fermeture du fond de la chaise.

**STEP 2**



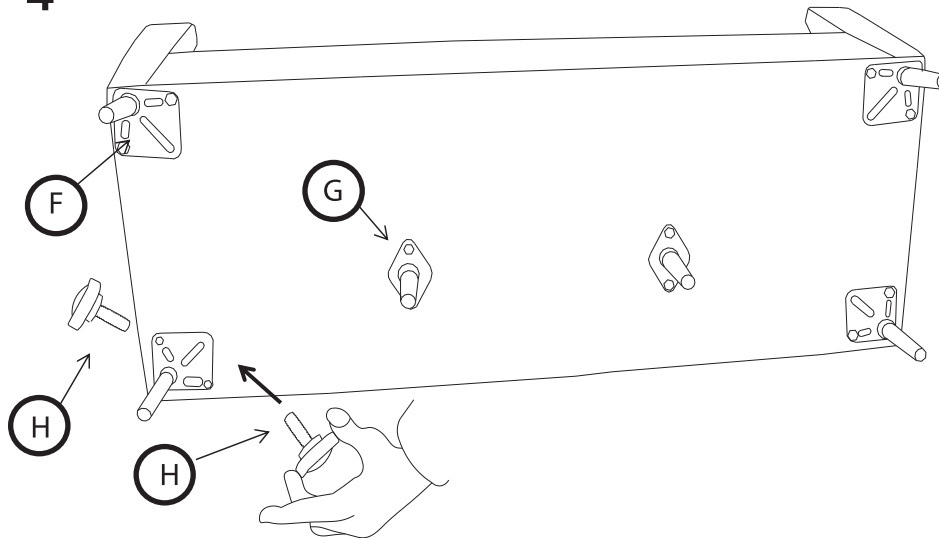
- Hold the backrest frame (B) above the sofa base (A) as shown. Align and Slide the slots on part (B) into (A).
- Sostenga el marco del respaldo (B) sobre la base del sofá (A) como se muestra. Alinee y deslice las ranuras de la parte (B) en (A).
- Attachez les deux pieds (D) à la base de la chaise comme indiqué avec des vis (G) et des rondelles (E),(F).

### STEP 3



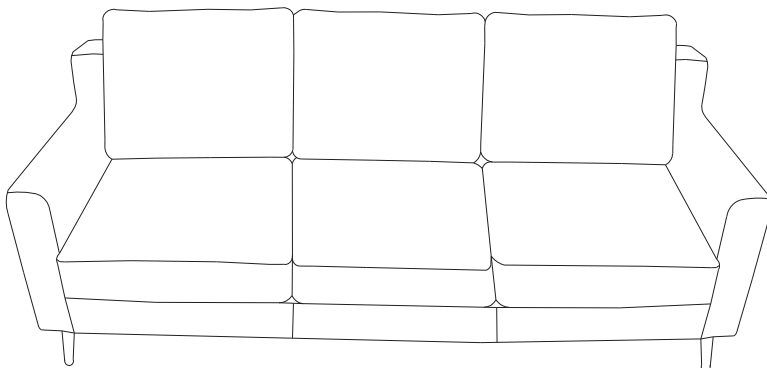
- Flip the sofa and lay it on the backrest such that the base of the sofa is exposed. Remove the legs and bolts from the base of the sofa as shown.
- Da la vuelta al sofá y colócalo en el respaldo de manera que la base del sofá quede expuesta. Retire las patas y los pernos de la base del sofá como se muestra.
- Disposez la chaise sur ses pieds, tous les pieds devant toucher le sol.

### STEP 4



- Attach the legs (F) to the corners of the sofa and legs (G) to the center of the sofa using screws (H).
- Fije las patas (F) a las esquinas del sofá y las patas (G) al centro del sofá con los tornillos (H).
- Attachez le coussin (C) au cadre en bois (B).

### STEP 5



- Carefully place the sofa on its legs. Ensure all legs are in contact with the floor. Place the sofa cushions on the sofa.
- Coloque con cuidado el sofá sobre sus patas. Asegúrese de que todas las patas estén en contacto con el piso. Coloque los cojines del sofá en el sofá.
- Insérez le dossier assemblé dans la base à l'aide des deux fentes pour enclencher et maintenir fermement.

# 1 YEAR LIMITED WARRANTY

Classic Brands Furniture are warranted for a one (1) year period from the date of purchase against defects in materials and/or workmanship. Unless there is a clear warranty issue, the Classic Brands Furniture are not returnable to Classic Brands. During this warranty period, if the product is deemed to be defective, our responsibility for the defective product is limited to replacement as stated below. All transportation costs are the responsibility of the purchaser during the entire warranty period. This Limited Warranty does not apply to and is otherwise invalid as to the following, without limitation: (1) Normal wear and tear; (2) Normal soiling from everyday use; (3) Product used for commercial, institutional, or rental purposes; (4) Damage caused by structural problems or appliance malfunctions; (5) Damage caused by or related to fire, natural disaster, flood, theft, vandalism or other crimes, or any other loss that is covered under an insurance policy; (6) Damage caused by extraordinary use; (7) Damage occurred during moves between residences or while in storage; or (8) smoke, fire, floods, or other acts of God.

CLASSIC BRANDS SHALL NOT BE LIABLE FOR INCIDENTAL OR CONSEQUENTIAL DAMAGES RESULTING FROM THE USE OF THIS PRODUCT OR ARISING OUT OF ANY BREACH OF THIS WARRANTY AND THE EXCLUSIVE REMEDY FOR BREACH OF THIS WARRANTY SHALL BE REPLACEMENT OF THE PRODUCT. THE EXPRESS LIMITED WARRANTY SET FORTH HEREIN IS THE SOLE WARRANTY GIVEN BY CLASSIC BRANDS, SHALL ONLY EXTEND TO THE ORIGINAL PURCHASER AND SHALL NOT EXTEND TO ANY SUBSEQUENT OWNER OR OTHER TRANSFEREE OF THE PRODUCT. THE REMEDIES DESCRIBED ABOVE ARE YOUR SOLE AND EXCLUSIVE REMEDIES AND OUR ENTIRE LIABILITY FOR ANY BREACH OF THIS LIMITED WARRANTY. OUR LIABILITY SHALL UNDER NO CIRCUMSTANCES EXCEED THE ACTUAL AMOUNT PAID BY YOU FOR THE DEFECTIVE PRODUCT. FOR SALES TO ANY PURCHASER, OTHER THAN THE ORIGINAL PURCHASER (AS DEFINED HEREIN), ALL IMPLIED WARRANTIES INCLUDING, BUT NOT LIMITED TO, ANY IMPLIED WARRANTY OF MERCHANTABILITY OR FITNESS FOR A PARTICULAR PURPOSE OR USE, ARE EXCLUDED AND DISCLAIMED. This Limited Warranty is made exclusively by Classic Brands and is not made on behalf of its distributors or any other party and no one is authorized to assume or undertake for Classic Brands any other liability in connection with the sale of the product. Some jurisdictions do not allow for the disclaimers of implied warranties or the exclusion of limitation of incidental or consequential damages, so the above limitations may not apply to you. In the event that the disclaimer of implied warranties is not applicable to you, then such implied warranties shall only remain in effect during the limited warranty period. All determinations of applicability and validity of warranty claims hereunder are solely at the discretion of the Classic Brands and such determination shall be final. THIS LIMITED WARRANTY IS NON-TRANSFERRABLE. The limited warranty set forth in this certificate apply only to the product accompanied by this Limited Warranty Certificate. This limited warranty gives you legal rights and you may have other rights which vary from state to state. This limited warranty shall be interpreted in accordance with the laws of the State of Maryland, without regard to provisions concerning conflict of laws. Classic Brands reserves the right to revise, cancel, or amend its warranties offered to products sold in the future. The limited warranty set forth herein is valid and applicable to the product accompanied by this Warranty Certificate.

**WARRANTY CLAIMS PROCEDURE:** Should a warranty claim arise, the original purchaser shall contact Classic Brands for a Warranty Claim Form and Instructions. The original purchaser shall complete the Warranty Claim Form, clearly detailing the defect, and email along with a copy of original sales receipt for the Product to [claims@classicbrands.com](mailto:claims@classicbrands.com) or as otherwise directed on the Warranty Claim Form. Warranty Claim Forms that are incomplete or sent without a copy of original sales receipt will not be processed and will be returned. Upon receipt by Classic Brands of the completed Warranty Claim Form and the original sales receipt, Classic Brands' quality control department will verify the defect and/or the applicability of this Limited Warranty thereto. In the event that this Limited Warranty is applicable, a replacement product of equal or greater value will be sent to the customer. The original purchaser will be responsible for shipping, handling and processing fees. No monetary refunds and/or credits will be issued. Please retain this warranty and your original invoice for one (1) year.