

# TWO SHELF END TABLE

102-002-100  
102-002-200  
102-002-300

**WARNING!**

- Read all instructions and warnings fully before using.
- Do not sit, stand, or jump on this product.
- This product is designed for indoor use only.
- To avoid dangers of suffocation, ensure all polythene bags, wrapping materials, and parts that come with this product are kept out of reach of children and disposed of carefully.
- Do not drag product on any type of flooring. Carry carefully when moving product.
- Make sure product is fully assembled before use.
- Do not use power tools to assemble this product.
- Serious or fatal injuries can occur from tipping furniture. Please use enclosed tip-over restraint to secure
- Do not use this product near fire or water.
- This furniture must be used on level surfaces only. Ensure all legs are always in contact with the floor.
- Occasionally check and maintain that product is fully assembled.
- Do not place extremely hot or very heavy objects on this product.
- Do not hold the glass with bare hands.
- Serious injuries can occur from shattered glass.
- Do not place TV sets or any other heavy object on this item.

**CLEANING INSTRUCTIONS** For: *Liquid spills, non-liquid spills*

- Clean this item only with a damp cloth. Do not use bleach or abrasive cleaners.

**!!!ADVERTENCIAS!!!**

- Lea completamente todas las instrucciones y advertencias antes de su uso.
- No se siente, ponga de pie o salte sobre este producto.
- Nettoyez cet article avec un chiffon humide uniquement. Ne pas utiliser de javel ou des nettoyeurs abrasifs.  
Este producto está diseñado únicamente para utilizarse en interiores.
- Para evitar el peligro de ahogamiento, asegúrese de que todas las bolsas de polietileno, materiales envolventes y partes que vienen con este producto se mantienen fuera del alcance de los niños y son desechadas cuidadosamente.
- No arrastre este producto por ningún tipo de suelo. Transporte el producto con cuidado cuando vaya a moverlo.
- Asegúrese de que el producto está completamente montado antes de su uso.
- No utilice herramientas eléctricas para montar este producto.
- Pueden tener lugar lesiones serias o mortales si el mueble vuelca. Por favor, utilice anclajes a la pared para asegurarlo.
- No utilice este producto cerca del fuego o agua.
- Este mueble debe utilizarse únicamente en superficies planas. Asegúrese de que todas las patas están siempre en contacto con el suelo.
- Compruebe y mantenga de forma ocasional que el producto está completamente montado.
- No sitúe objetos extremadamente calientes o pesados sobre este producto.
- No sostenga el cristal con las manos desprotegidas.
- Pueden tener lugar lesiones serias con cristales rotos.
- No coloque televisores ni ningún otro objeto pesado sobre este artículo.

**INSTRUCCIONES DE LIMPIEZA** Para: *derrames líquidos, derrames no líquidos*

- Limpie este objeto únicamente con un paño húmedo. No utilice lejía ni limpiadores abrasivos.

**AVERTISSEMENTS!**

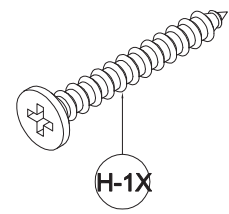
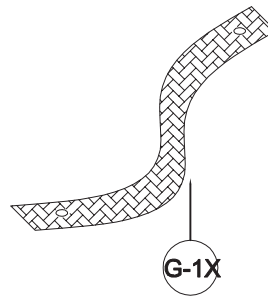
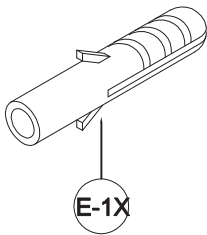
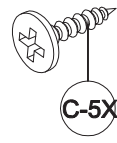
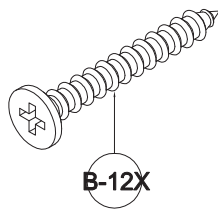
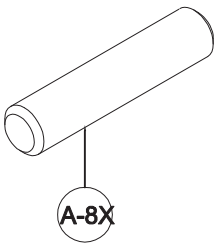
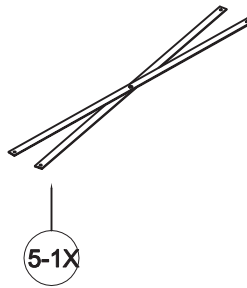
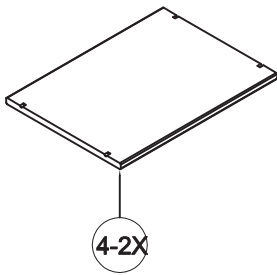
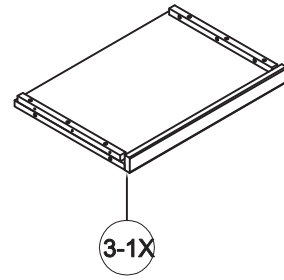
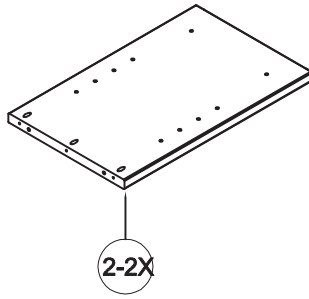
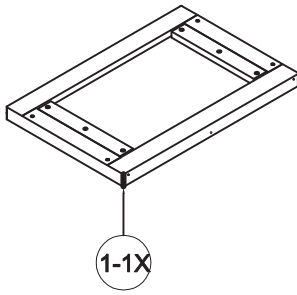
- Ne vous asseyez pas, ne vous tenez pas debout et ne sautez pas sur ce produit.
- Ce produit est conçu pour une utilisation en intérieur uniquement.
- Pour éviter tout risque d'étouffement, assurez-vous que tous les sacs, sachets d'emballage et pièces en plastique fournis avec ce produit sont tenus hors de la portée des enfants et éliminés avec soin.
- Ne traînez pas le produit sur tout type de revêtement de sol. Portez soigneusement lorsque vous déplacez le produit.
- Assurez-vous que le produit est entièrement assemblé avant utilisation.
- N'utilisez pas d'outils électriques pour assembler ce produit.
- Le basculement des meubles peut entraîner des blessures graves, voire mortelles. Veuillez utiliser la retenue de basculement fournie pour sécuriser
- N'utilisez pas ce produit près d'un feu ou de l'eau.
- Ce meuble doit être utilisé uniquement sur des surfaces planes. Assurez-vous que toutes les jambes sont toujours en contact avec le sol.
- Vérifiez et maintenez de temps en temps que le produit est entièrement assemblé.
- Ne pas déposer des objets extrêmement chauds ou très lourds sur ce produit.
- Ne tenez pas le verre à mains nues.
- Le verre brisé peut provoquer des blessures graves.
- Ne placez pas de téléviseur ni d'autres objets lourds sur cet objet.

**INSTRUCTIONS DE NETTOYAGE** Pour : *Saleté liquide, saleté non liquide*

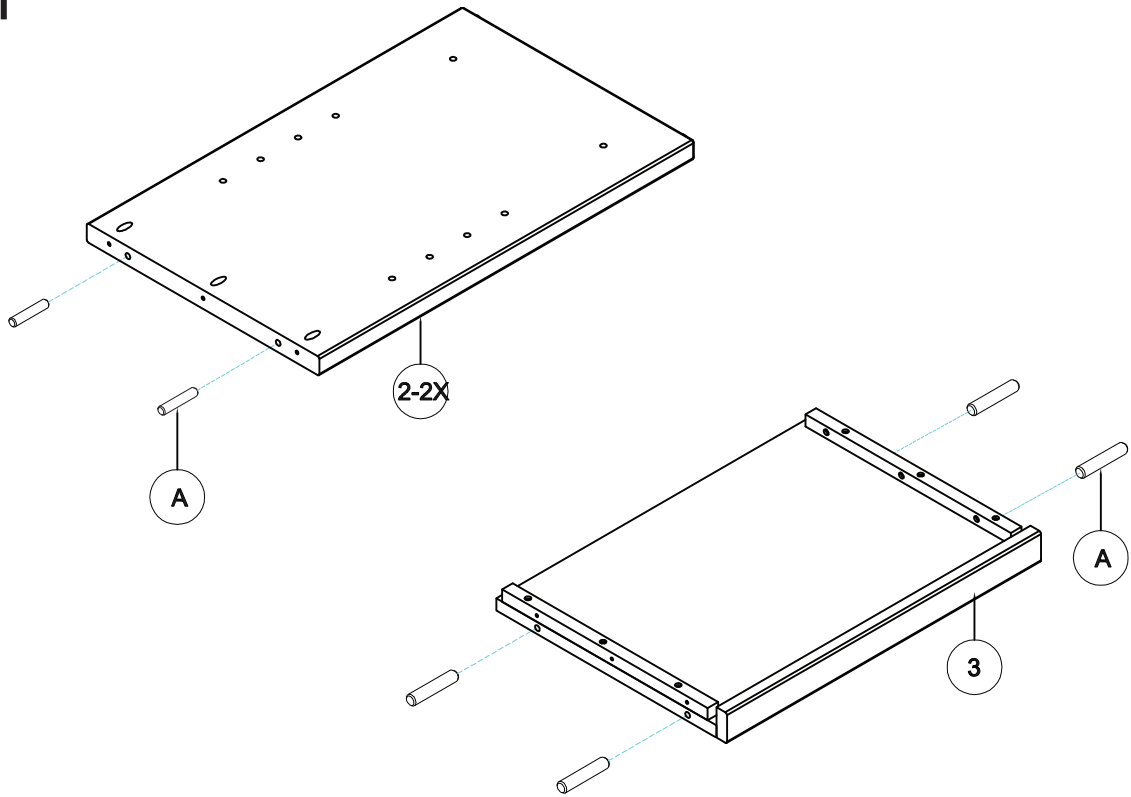
- Nettoyez cet article avec un chiffon humide uniquement. Ne pas utiliser de javel ou des nettoyeurs abrasifs.

---

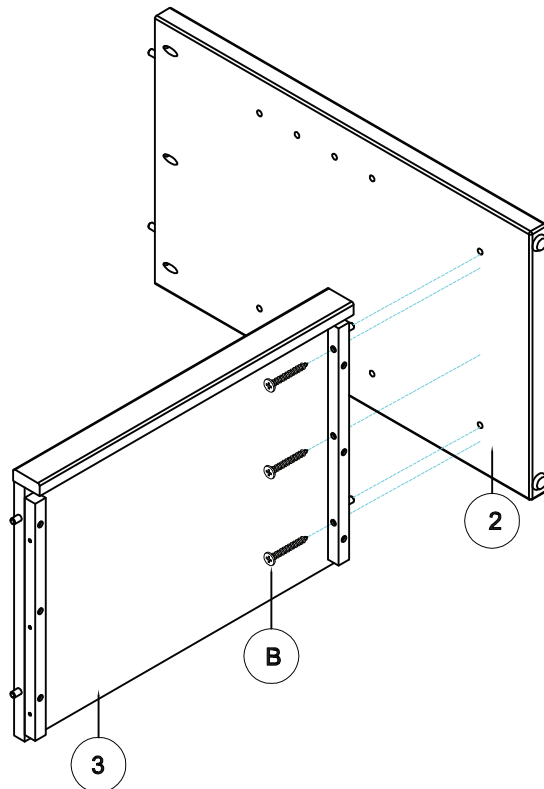
**Have a question?** Please contact Customer Service at **877-707-7533** for the quickest service. We are open Monday - Friday from 9:00 a.m. - 5:00 p.m. (EST) or you can email us at [claims@classicbrands.com](mailto:claims@classicbrands.com).



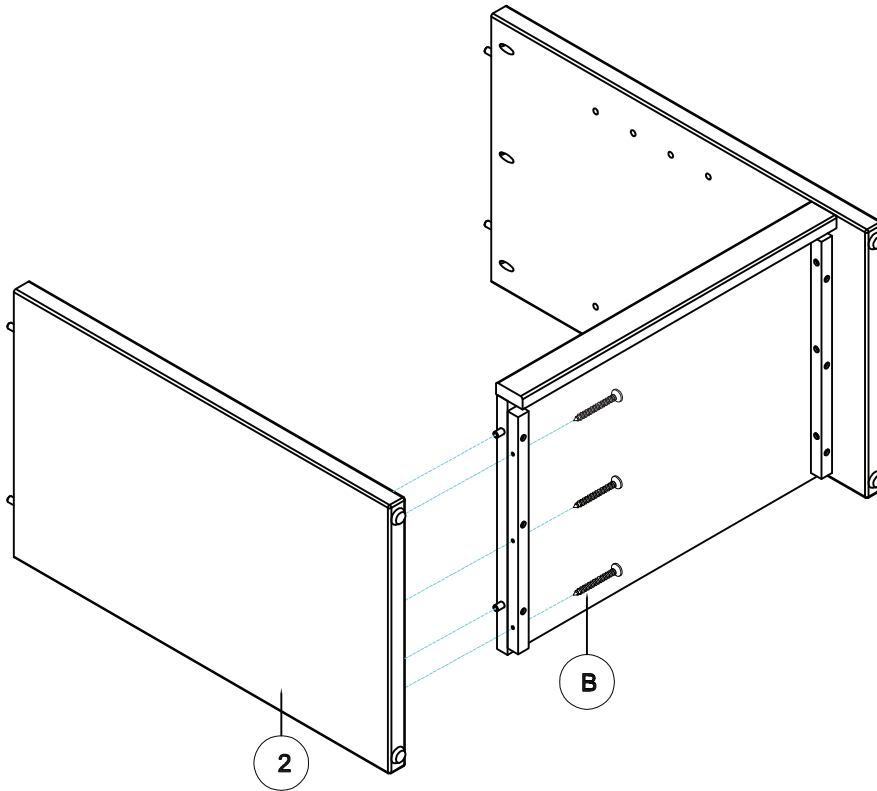
# STEP 1



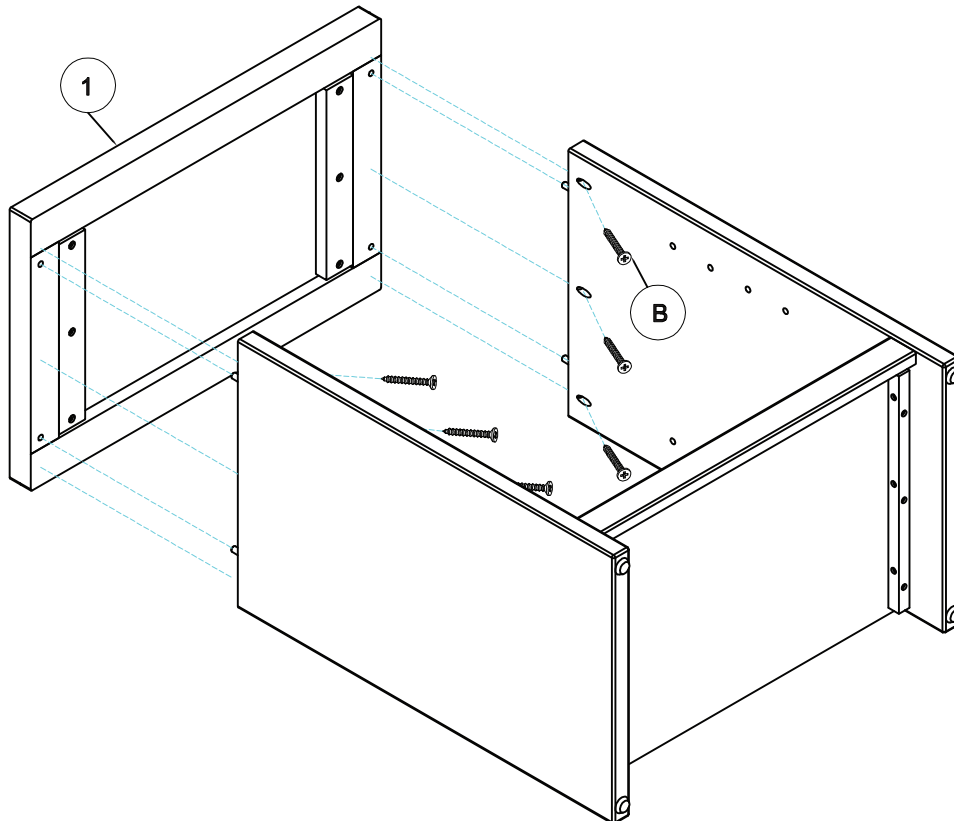
# STEP 2



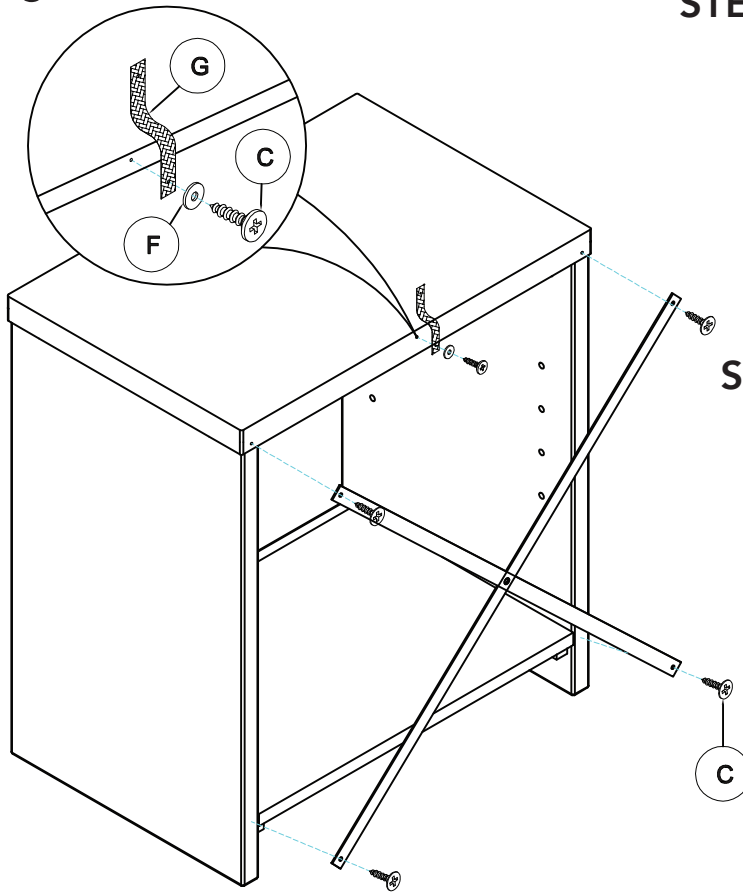
### STEP 3



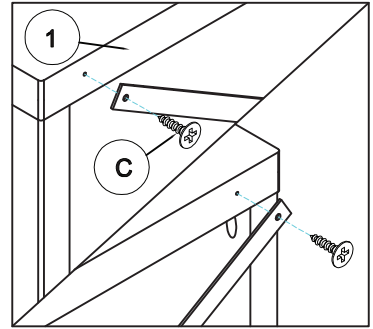
### STEP 4



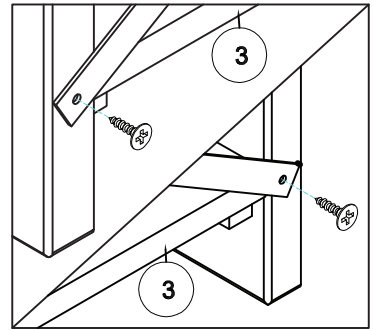
**STEP 5**



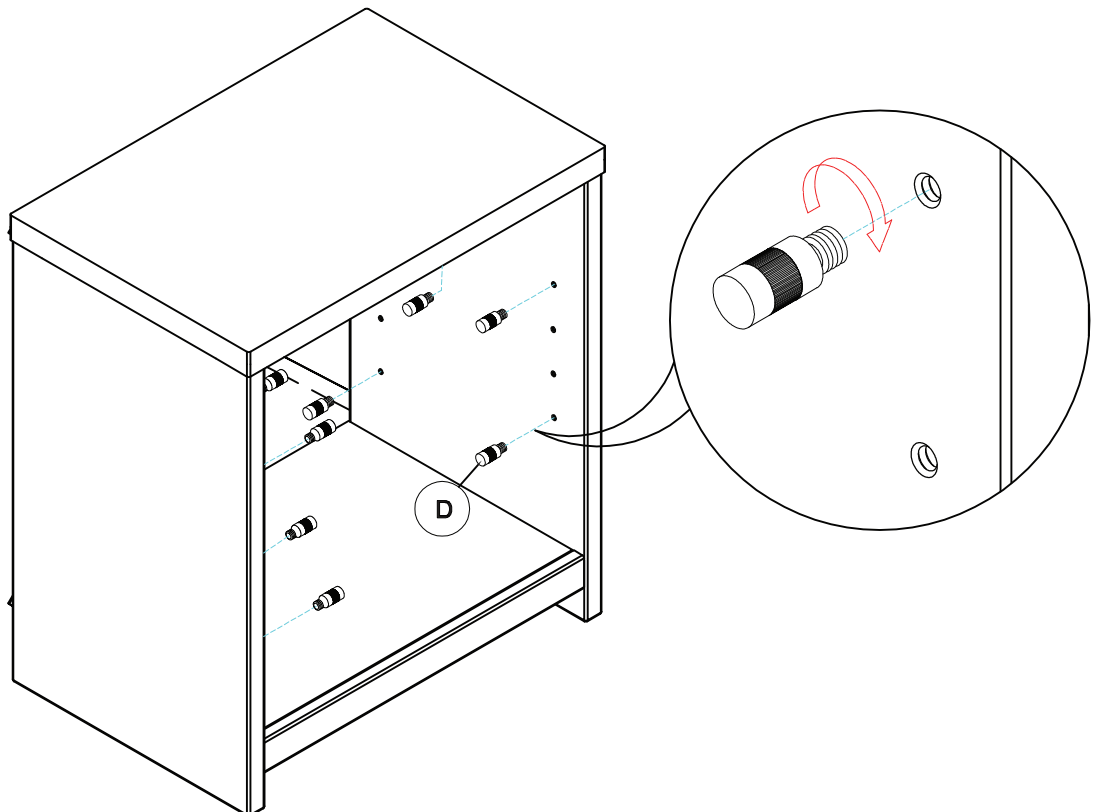
**STEP A**



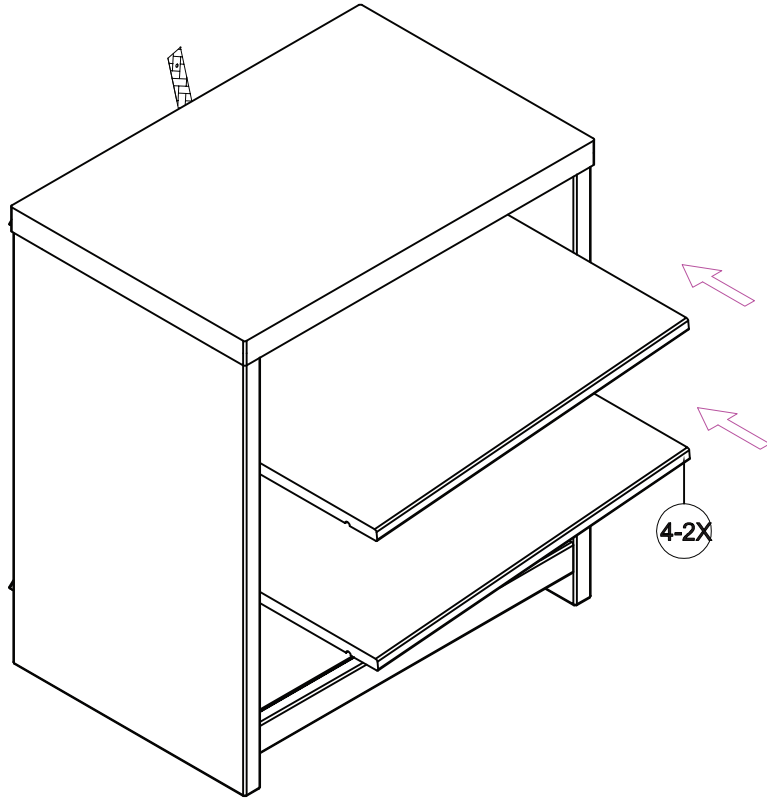
**STEP B**



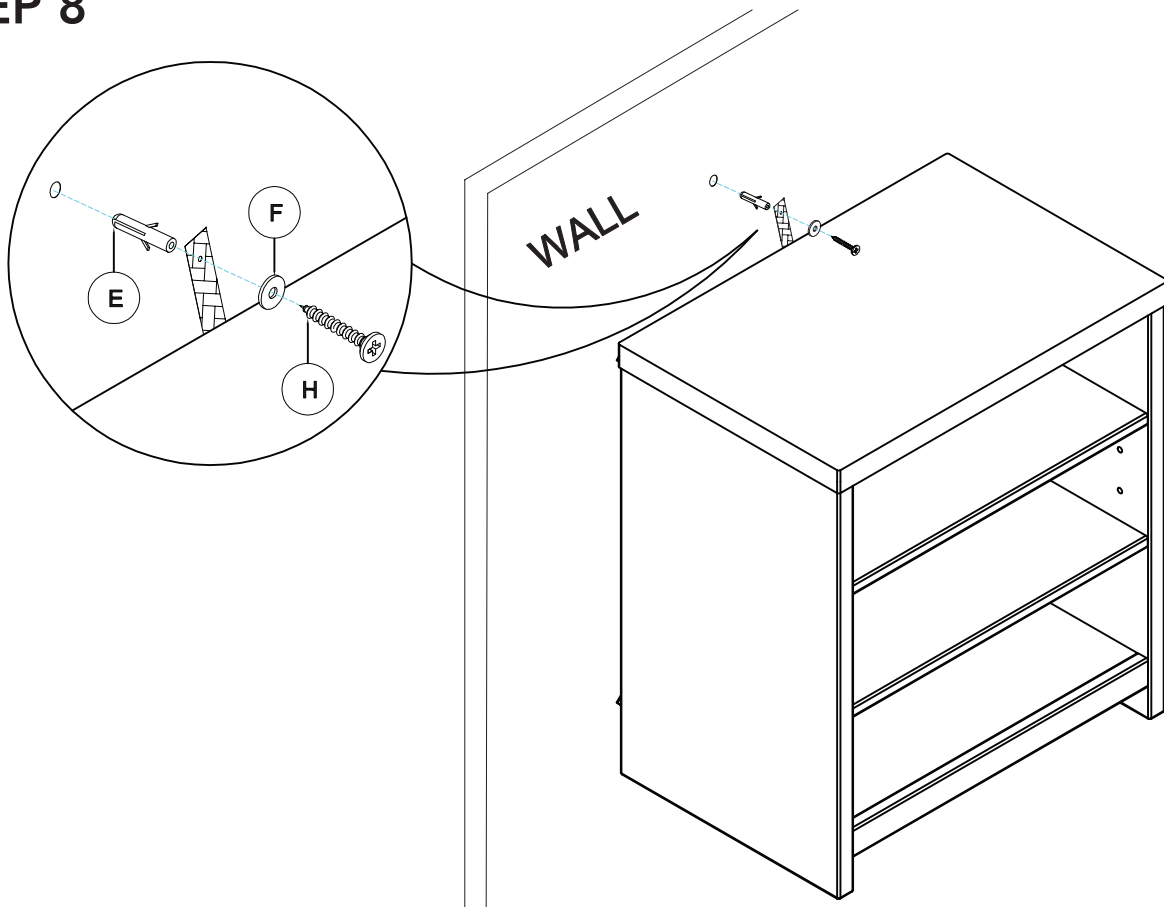
**STEP 6**



# STEP 7



# STEP 8



# 1 YEAR LIMITED WARRANTY

Classic Brands Furniture are warranted for a one (1) year period from the date of purchase against defects in materials and/or workmanship. Unless there is a clear warranty issue, the Classic Brands Furniture are not returnable to Classic Brands. During this warranty period, if the product is deemed to be defective, our responsibility for the defective product is limited to replacement as stated below. All transportation costs are the responsibility of the purchaser during the entire warranty period. This Limited Warranty does not apply to and is otherwise invalid as to the following, without limitation: (1) Normal wear and tear; (2) Normal soiling from everyday use; (3) Product used for commercial, institutional, or rental purposes; (4) Damage caused by structural problems or appliance malfunctions; (5) Damage caused by or related to fire, natural disaster, flood, theft, vandalism or other crimes, or any other loss that is covered under an insurance policy; (6) Damage caused by extraordinary use; (7) Damage occurred during moves between residences or while in storage; or (8) smoke, fire, floods, or other acts of God.

CLASSIC BRANDS SHALL NOT BE LIABLE FOR INCIDENTAL OR CONSEQUENTIAL DAMAGES RESULTING FROM THE USE OF THIS PRODUCT OR ARISING OUT OF ANY BREACH OF THIS WARRANTY AND THE EXCLUSIVE REMEDY FOR BREACH OF THIS WARRANTY SHALL BE REPLACEMENT OF THE PRODUCT. THE EXPRESS LIMITED WARRANTY SET FORTH HEREIN IS THE SOLE WARRANTY GIVEN BY CLASSIC BRANDS, SHALL ONLY EXTEND TO THE ORIGINAL PURCHASER AND SHALL NOT EXTEND TO ANY SUBSEQUENT OWNER OR OTHER TRANSFEREE OF THE PRODUCT. THE REMEDIES DESCRIBED ABOVE ARE YOUR SOLE AND EXCLUSIVE REMEDIES AND OUR ENTIRE LIABILITY FOR ANY BREACH OF THIS LIMITED WARRANTY. OUR LIABILITY SHALL UNDER NO CIRCUMSTANCES EXCEED THE ACTUAL AMOUNT PAID BY YOU FOR THE DEFECTIVE PRODUCT. FOR SALES TO ANY PURCHASER, OTHER THAN THE ORIGINAL PURCHASER (AS DEFINED HEREIN), ALL IMPLIED WARRANTIES INCLUDING, BUT NOT LIMITED TO, ANY IMPLIED WARRANTY OF MERCHANTABILITY OR FITNESS FOR A PARTICULAR PURPOSE OR USE, ARE EXCLUDED AND DISCLAIMED. This Limited Warranty is made exclusively by Classic Brands and is not made on behalf of its distributors or any other party and no one is authorized to assume or undertake for Classic Brands any other liability in connection with the sale of the product. Some jurisdictions do not allow for the disclaimers of implied warranties or the exclusion of limitation of incidental or consequential damages, so the above limitations may not apply to you. In the event that the disclaimer of implied warranties is not applicable to you, then such implied warranties shall only remain in effect during the limited warranty period. All determinations of applicability and validity of warranty claims hereunder are solely at the discretion of the Classic Brands and such determination shall be final. THIS LIMITED WARRANTY IS NON-TRANSFERRABLE. The limited warranty set forth in this certificate apply only to the product accompanied by this Limited Warranty Certificate. This limited warranty gives you legal rights and you may have other rights which vary from state to state. This limited warranty shall be interpreted in accordance with the laws of the State of Maryland, without regard to provisions concerning conflict of laws. Classic Brands reserves the right to revise, cancel, or amend its warranties offered to products sold in the future. The limited warranty set forth herein is valid and applicable to the product accompanied by this Warranty Certificate.

**WARRANTY CLAIMS PROCEDURE:** Should a warranty claim arise, the original purchaser shall contact Classic Brands for a Warranty Claim Form and Instructions. The original purchaser shall complete the Warranty Claim Form, clearly detailing the defect, and email along with a copy of original sales receipt for the Product to [claims@classicbrands.com](mailto:claims@classicbrands.com) or as otherwise directed on the Warranty Claim Form. Warranty Claim Forms that are incomplete or sent without a copy of original sales receipt will not be processed and will be returned. Upon receipt by Classic Brands of the completed Warranty Claim Form and the original sales receipt, Classic Brands' quality control department will verify the defect and/or the applicability of this Limited Warranty thereto. In the event that this Limited Warranty is applicable, a replacement product of equal or greater value will be sent to the customer. The original purchaser will be responsible for shipping, handling and processing fees. No monetary refunds and/or credits will be issued. Please retain this warranty and your original invoice for one (1) year.