

ADJUSTABLE COMFORT

Headboard Bracket Instructions



12x
Bolt



12x
Nut



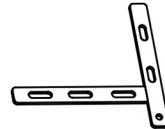
1x
Allen Key



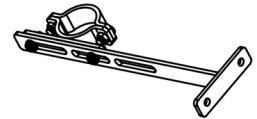
1x
Wrench



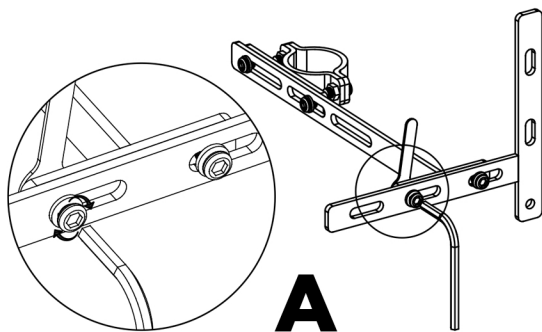
8x
Washer



2x
Bracket A



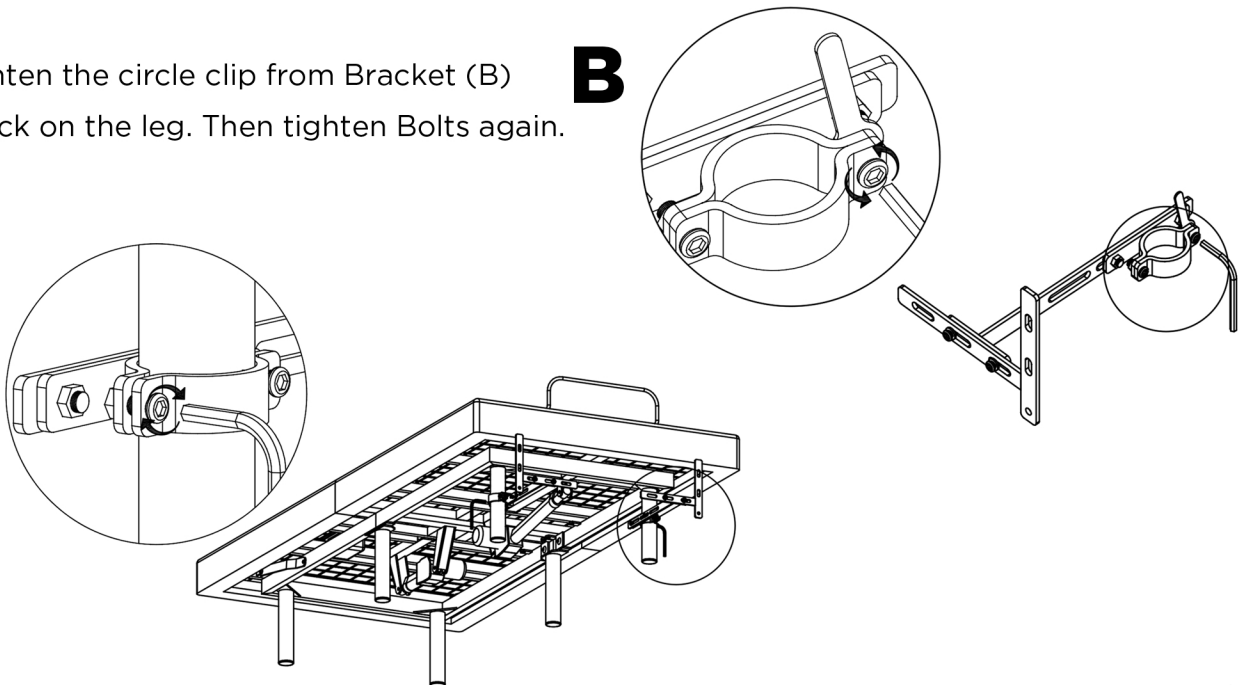
2x
Bracket B



1. Use Allen Key to connect Bracket (A) and Bracket (B) with Bolts and Nuts. Do not fully tighten.

2. Untighten the circle clip from Bracket (B) and lock on the leg. Then tighten Bolts again.

B



3. Adjust the Brackets (A) to match the headboard.

